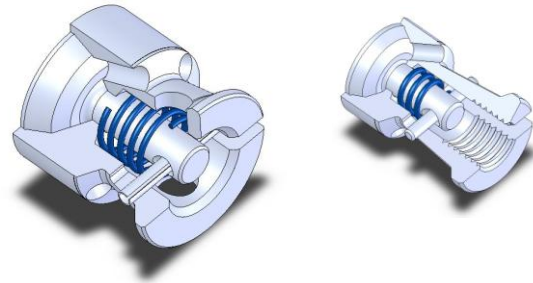
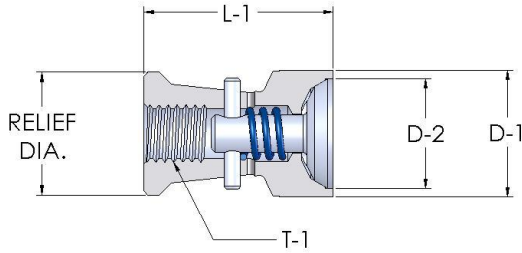


AIR POPPETS "ORIGINAL SERIES"



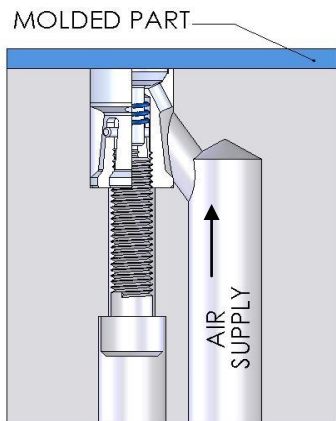
CATALOG NUMBER	NOM DIA	D-1	D-2	L-1 +0.002/-0.000	T-1	PRICE
DWD-0	1/4"	0.2506/0.2508	0.2180	0.3750	#8-36 NF	\$82.00
DWD-1	3/8"	0.3756/0.3758	0.3270	0.5630	#10-32 NF	\$64.00
DWD-2	1/2"	0.5006/0.5008	0.4360	0.7500	1/4-28 NF	\$72.00
DWD-13	3/4"	0.7506/0.7509	0.6500	0.7500	N/A	\$92.00
DWD-14	1"	1.0006/1.0009	0.8660	1.0000	N/A	\$105.00

ADVANTAGES:

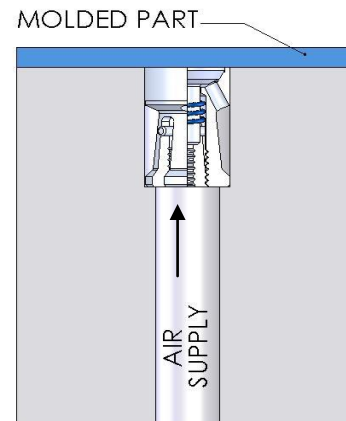
- Corrosion resistant 17-4PH stainless steel
- Bolt-in mount or press-fit mount available
 - Bolt-in mount styles may be press-fit in place.
- Superior air flow via access holes
- Stainless steel screws available upon request
- Complete family of components
- Low cost

Size	#8-36	#10-32	1/4-28
Length			
0.38 lg	N/A	X	N/A
0.50 lg	N/A	X	X
0.75 lg	X	X	X
1.00 lg	N/A	X	X
1.25 lg	N/A	X	X
1.50 lg	N/A	X	X
1.75 lg	N/A	X	X
2.00 lg	N/A	X	X
2.25 lg	N/A	X	X
2.50 lg	N/A	X	X
3.00 lg	N/A	X	X

STAINLESS STEEL SCREWS
(Sold Separately)



BOLT IN MOUNT



PRESS FIT MOUNT