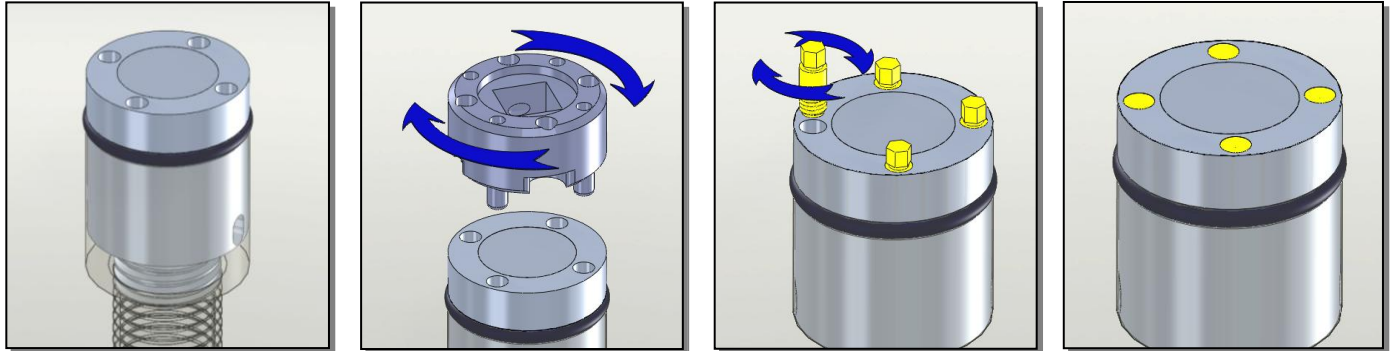
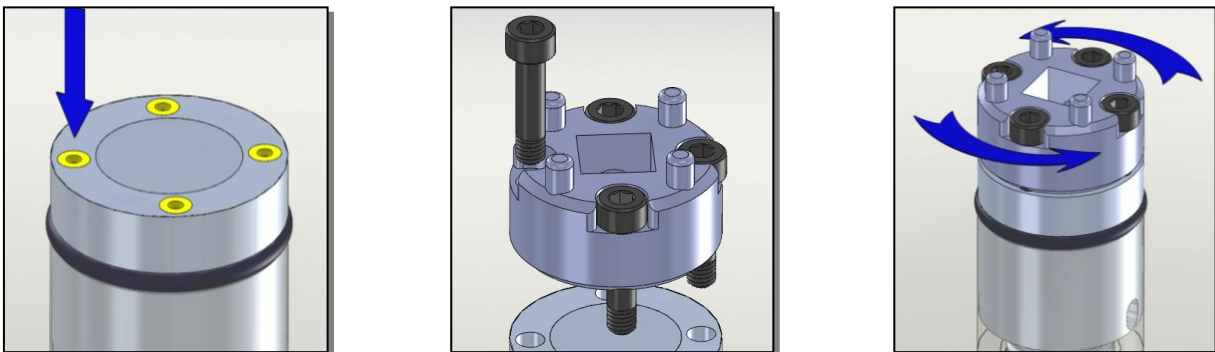


### Installation Instructions:



- Install “SUMMO-II” poppet by hand until threads begin to engage
- Place “SM2-SPANNER” wrench on top of poppet engaging drive pins
- Using ½” square drive tool, turn clockwise until poppet is fully seated
- Install (4) threaded plugs using 5/32 (4mm) socket
- Once plugs have been seated, continue turning with socket to “twist off” drive hex
- Bench off tips of threaded plugs flush with poppet surface

### Removal Instructions:



- Center punch hole approximately 1/8” deep in center of threaded plugs
- Use an Easy-Out Extractor® (counter clockwise) to remove threaded plugs
- Place “SM2-SPANNER” wrench on top of poppet (drive pins up)
- Attach “SM2-SPANNER” wrench to poppet with (4) supplied M5x0.8 modified SHCS
- Using ½” square drive tool, turn counterclockwise to remove poppet