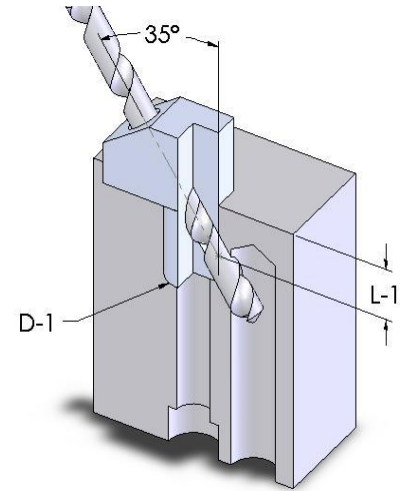


DRILL JIGS

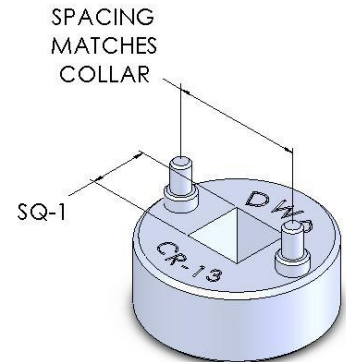
DWD Drill Jigs are used to aid in drilling angled air access holes without requiring a complicated machining set-up. Simply install drill jig into pre-drilled hole for DWD Air Poppet. Then hand-drill for appropriate size air line. Drill Jigs may be re-used for multiple installations.



CATALOG NUMBER	FITS POPPET	D-1	DRILL SIZE	L-1	PRICE
DJ-0	DWD-0	1/4"	0.125"	0.20"	\$45.00
DJ-1	DWD-1	3/8"	0.187"	0.30"	\$45.00
DJ-2	DWD-2	1/2"	0.250"	0.49"	\$45.00
DJ-8	DSM-08	8mm	0.125"	0.31"	\$45.00
DJ-12	DSM-12	12mm	0.188"	0.45"	\$45.00

SPANNER WRENCHES

DWD Spanner Wrenches are used to assist with the installation of DWD Collars and Summo Poppets. Inside of "SQ-1" hole retains a Standard square socket extension.



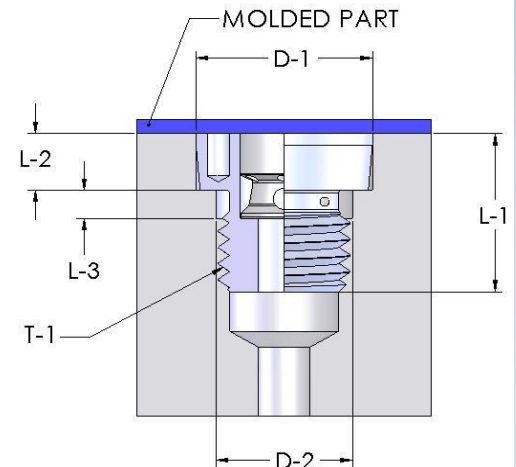
CATALOG NUMBER	FITS	SQ-1	PRICE
CR-2	2-COL	3/8"	\$25.00
CR-13	13-COL	1/2"	\$25.00
CR-SUMMO	SM-36	1/2"	\$25.00

COLLARS

DWD Collars are used to retain DWD Air Poppets in the mold but also to allow for removal of the Poppet while the mold is still in the press. This is beneficial where frequent fouling of the Poppet is a problem. Collars are supplied with spanner wrench holes which must be filled after installation. DWD Collars also correct problems due to poor press fit conditions or a temperature differential between mold and Poppet.

When securing Poppet with supplied roll pin, caution should be taken to avoid any interference with Poppet spring pin.

(Poppets and Spanner Wrenches are both sold separately)

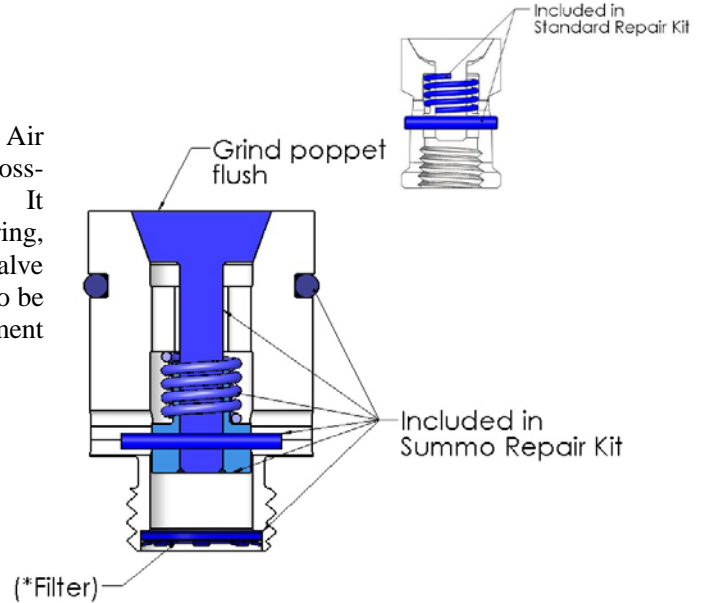


CATALOG NUMBER	FITS POPPET	D-1 +.001/-0.000	D-2	L-1	L-2 +.001/-0.001	L-3	T-1	PRICE
2-COL	DWD-2	1.125"	0.765"	1.50"	0.500"	0.350"	3/4-10 NC	\$98.00
13-COL	DWD-13	1.500"	N/A	1.50"	0.500"	N/A	1-1/8 - 7NC	\$124.00

REPAIR KITS

The Standard Repair Kit for the DWD, DSL, and DSM Air Poppets comes as a package of (10) springs and (10) cross-pins. The Summo Repair Kit is just for one poppet. It includes a new poppet valve, spring, cross-pin, sleeve, o-ring, filter and retainer ring. Note that the Summo poppet valve will be long by approximately .005"-.015" and will need to be ground flush with the existing Summo body. Replacement filters may be purchased separately in packs of (5).

ITEM	PRICE
Standard Repair Kit	\$15.00
Summo Repair Kit (parts)	\$90.00
Summo Repair Kit (installed)	\$160.00
Replacement Filters (pk of 5)	\$30.00



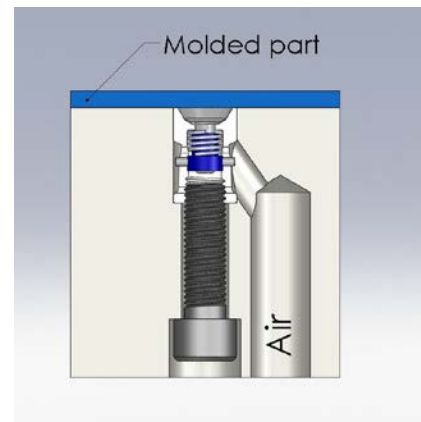
STAINLESS STEEL SCREWS

All DWD Air Poppets can be press fit into the molds. However, many sizes of DWD Air Poppets come with a tapped hole in the back. This allows the mold-maker to bolt the Air Poppet in place for positive retention if desired. It is recommended to use stainless steel screws to avoid rust and corrosion that may occur over time. DWD keeps several sizes in stock for the convenience of our customers. Please cross reference the charts below for availability.

Poppet Size						
	#8-36	#10-32	1/4-28	5/16-24	M5x0.8	M8x1.25
DWD-0	X					
DWD-1		X				
DWD-2			X			
DSL-0	X					
DSL-1			X			
DSL-2				X		
DSM-08					X	
DSM-12						X

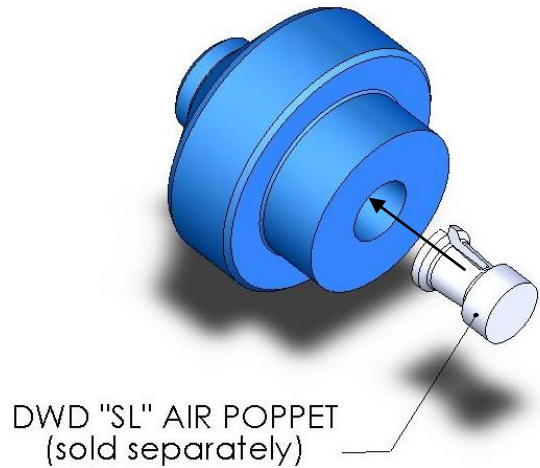
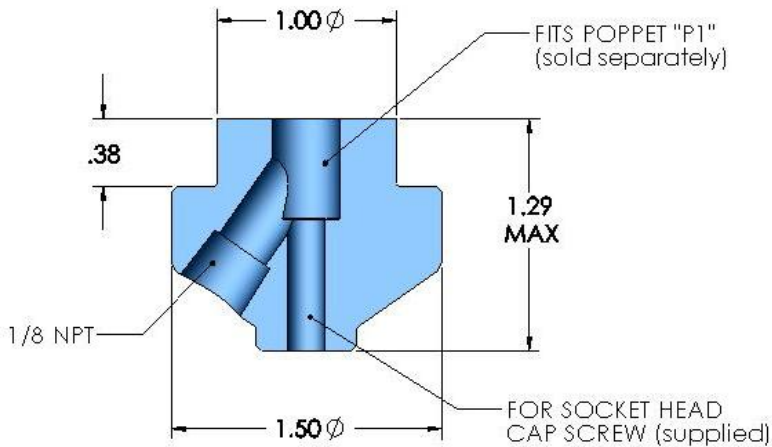
Size	#8-36	#10-32	1/4-28	5/16-24
Length				
0.38 lg	N/A	X	N/A	N/A
0.50 lg	N/A	X	X	X
0.75 lg	X	X	X	X
1.00 lg	N/A	X	X	X
1.25 lg	N/A	X	X	X
1.50 lg	N/A	X	X	X
1.75 lg	N/A	X	X	X
2.00 lg	N/A	X	X	X
2.25 lg	N/A	X	X	N/A
2.50 lg	N/A	X	X	X
3.00 lg	N/A	X	X	X

Size	M5x0.8	M8x1.25
Length		
20mm	X	X
25mm	X	X
40mm	X	X
50mm	X	X
60mm	X	X
70mm	X	X
90mm	X	X



All stainless steel SHCS - \$1.00 ea

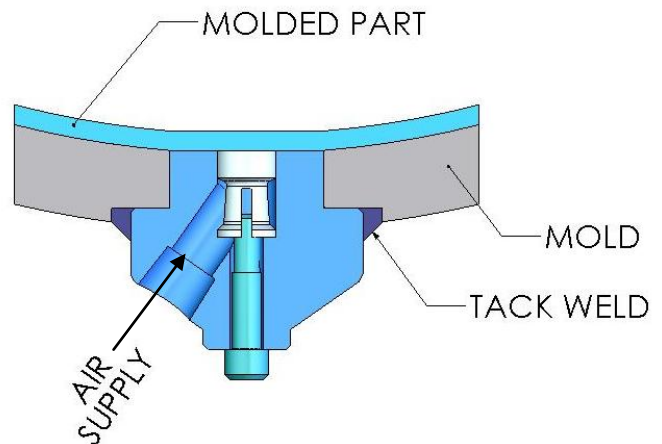
AIR POPPETS “RP” INSERTS FOR ROTATIONAL MOLDS



CATALOG NUMBER	NOM POPPET	POPPET "P1"	PRICE
RP-1	3/8"	DSL-1	\$35.00
RP-2	1/2"	DSL-2	\$35.00

APPLICATION:

David Wolfe Design Roto-Poppet (“RP”) Inserts are used when there is a need to assist in the removal of the already roto-molded part from the mold by introducing positive air pressure between the molded part and mold cavity during de-mold. DWD “RP” Inserts are made from M-1 aluminum and to be used in conjunction with DWD “SL” Series Air Poppets sold separately.



INSTALLATION:

DWD “RP” Inserts have been designed to be installed in an area of the mold with a nominal thickness of 3/8”. This may be achieved by either spotfacing or building up the backside of the mold as necessary. A nominal 1” hole then needs to be bored through the mold shell. The “RP” Insert should then be installed from the back side of the mold and welded in place. Install the DWD “SL” Series Air Poppet from the face of the mold securing with the supplied SHCS. Plumb the air supply to the 1/8” NPT port on the back of the Insert.



Summo-II valve

Includes (8) threaded brass plugs

Cat. No. – SM-36-2
Price - \$375.00



Threaded plugs

Bag of (10)

Cat. No. – SM2-BP10 (*brass*)
Price - \$20.00
Cat. No. – SM2-SP10 (*mild steel*)
Price - \$35.00



Spanner wrench & screws

Cat. No. – CR-SUMMO2 (*includes wrench & 8 screws*)
Price - \$75.00
Cat. No. – M5-MOD (*pack of 10 replacement screws*)
Price - \$10.00



Repair kit for Summo valves

Usable for both Summo and Summo-II valves

Cat. No. – SUMMO REPAIR KIT
Price - \$90.00 (*Parts only*)
Price - \$160.00 (*Parts plus installation, allow 2 weeks*)



Replacement Filters & Retainer Rings

Usable for both Summo and Summo-II valves

Cat. No. – SMFR5 (*pack of 5 each*)
Price - \$30.00

Service to convert original Summo valve to Summo-II

Call to discuss details
Price - \$75.00